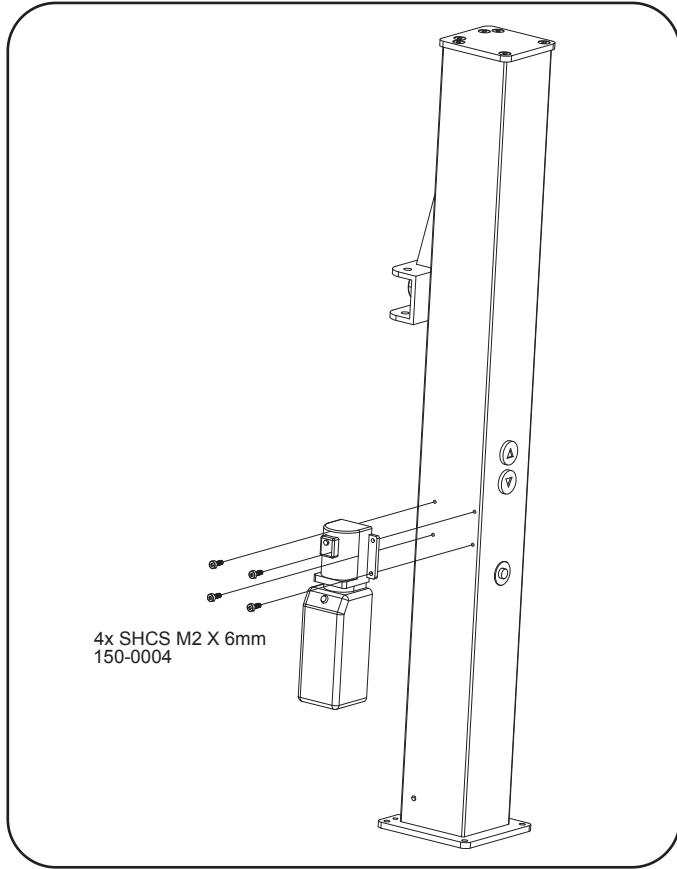


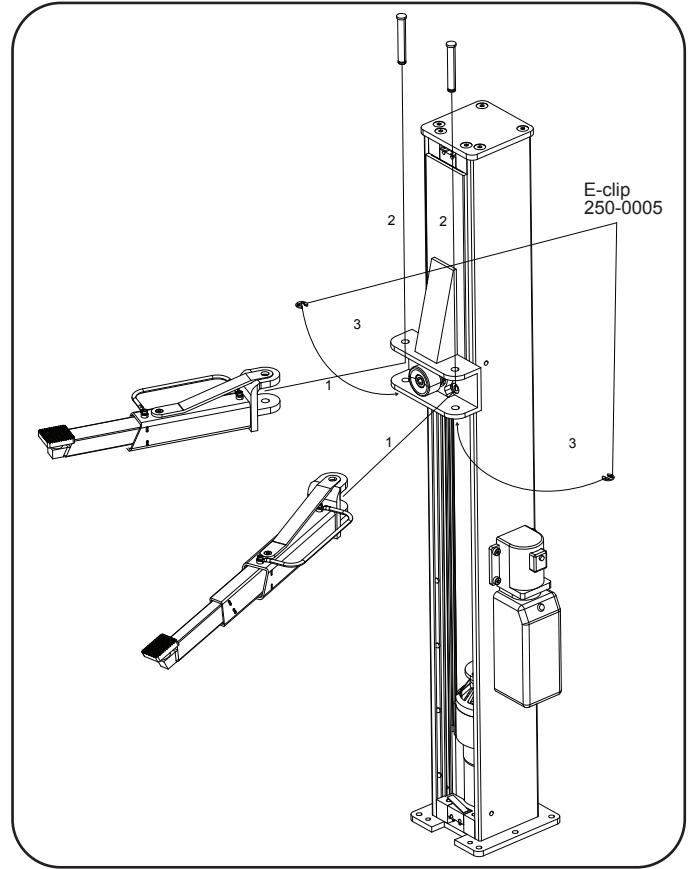


Z-X0052 RC4WD 1/10 Bendpak XPR-9S Two-Post Auto Lift

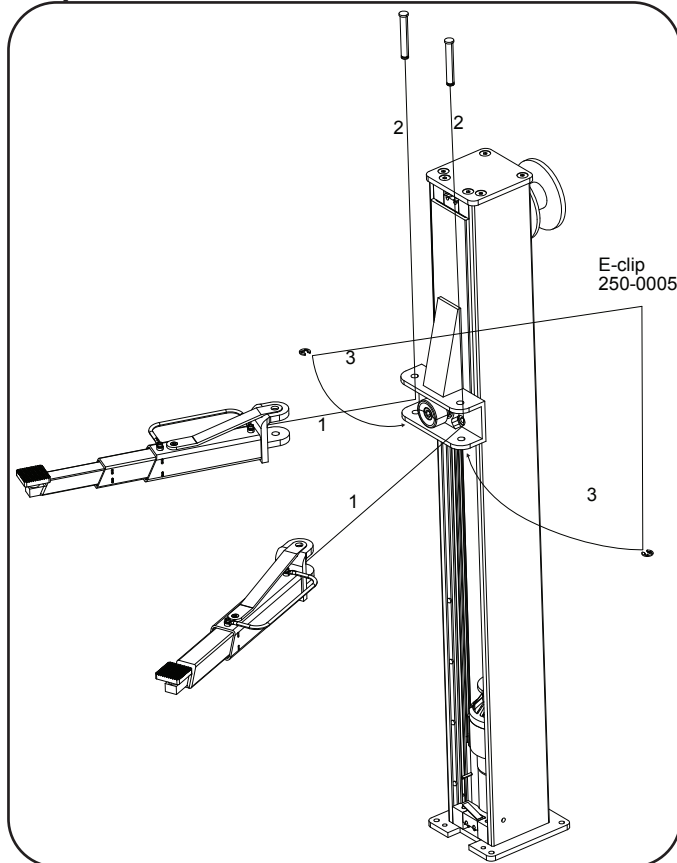
Step 1. Install Control Box



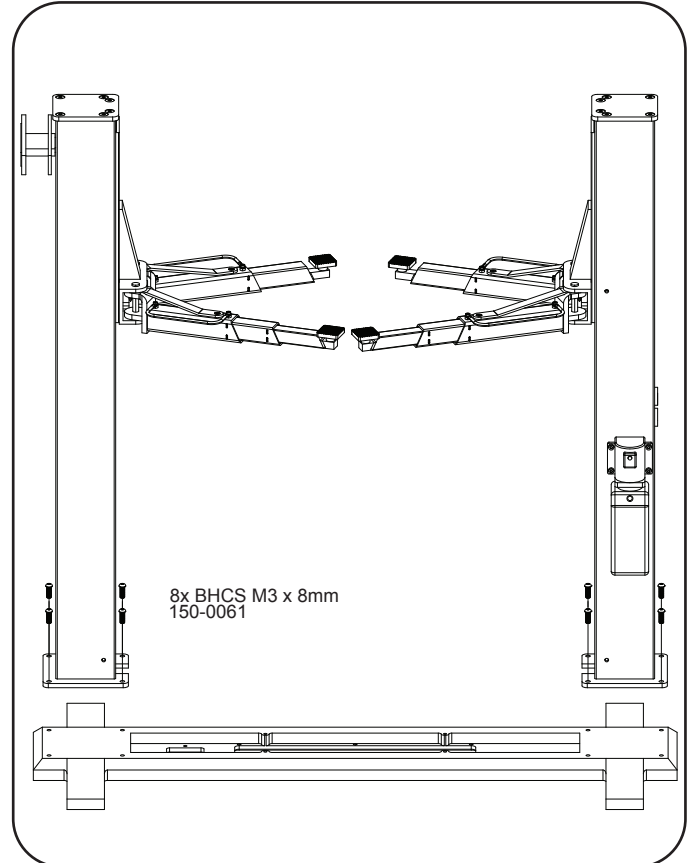
Step 2. Install Lift Arms Right Side



Step 3. Install Lift Arms Left Side



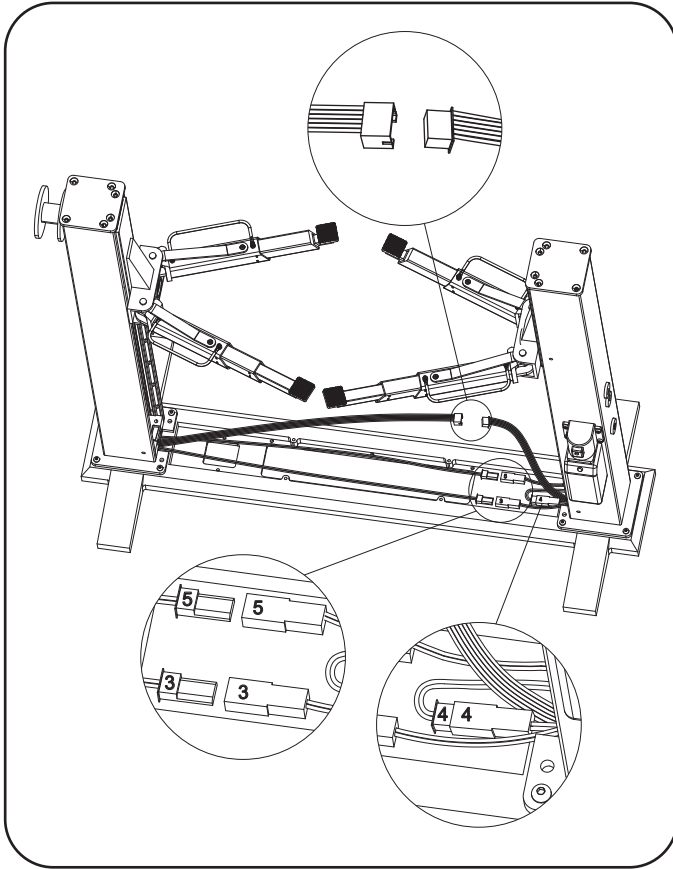
Step 4. Install Lift Towers



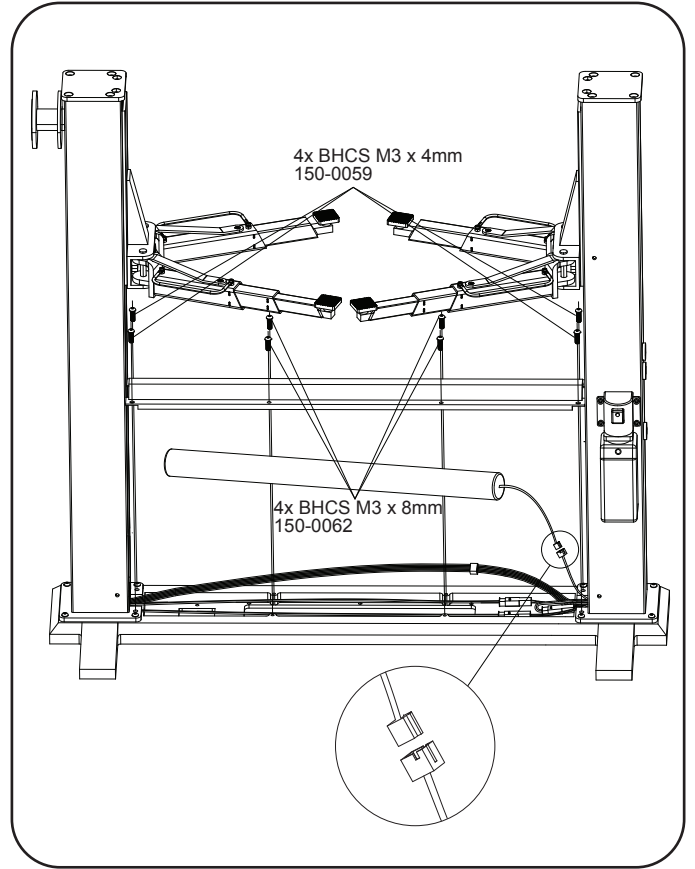


Z-X0052 RC4WD 1/10 Bendpak XPR-9S Two-Post Auto Lift

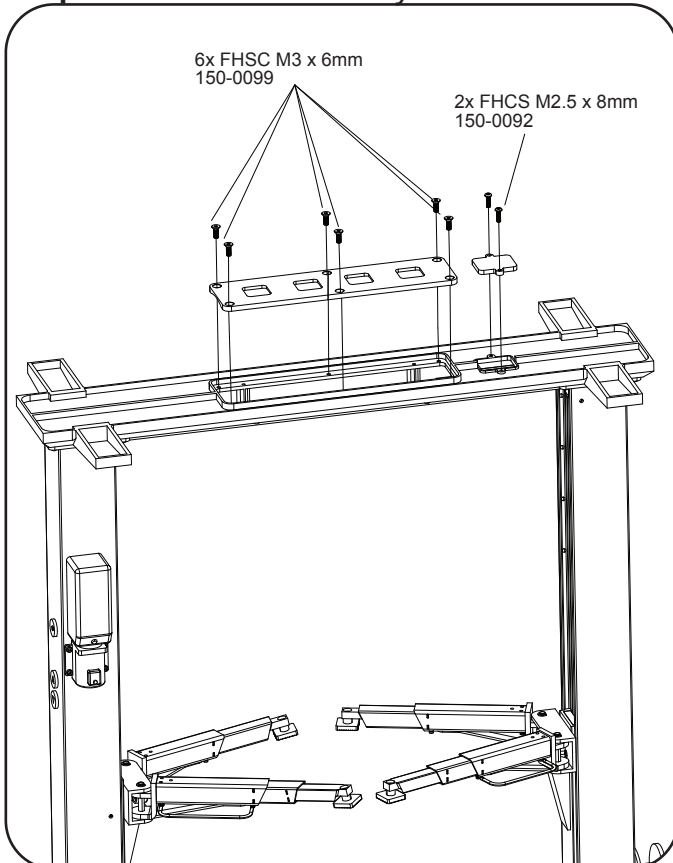
Step 5. Connect Electronics



Step 6. Install Battery and Battery Cover



Step 7. Install Lower Battery Cover



Step 8. Assembly Complete

